

FX-8 Series Medical Foot Switches (IPX8)

Features

- Robust glass fiber reinforced plastics
- Compact design
- Easy to clean and sterilize
- Various internal switch types
- Pressure point for better tactile feeling
- Ergonomic pedal profile for smooth actuation
- Large front label space for custom design

Specifications

Operating Frequency	60 ops/min
Insulation Resistance	>100MΩ@500V DC
Contact Resistance	<25mΩ (initial)
Rated Current/Voltage	5A 125/250VAC; 5A/30VDC
Inrush Current	Complies with IEC947-5-1
Dielectric Strength	1000VAC for 1 min between current carrying parts 2500VAC for 1 min between non-current carrying parts
Service Life	1 x 10 ⁶ (operations)
Operating Temperature	-30~+80°C (-22~176°F)
Degree of Protection	IPX8

Selection Guide:

FX - **82** - **H** - **5** - **T** - **W** - **N** - **B1** - **H** - **8** - **F** - **22/5S**

- 81:** 1 Pedal
- 82:** 2 Pedals
- 83:** 3 Pedals
- 84:** 4 Pedals

Pedal Style

- Blank:** Standard
- H:** High Profile

Internal Switch

- 5:** Potted enclosure
- 10:** No seal
- 10W:** IP67
- RS:** Reed switch
- HN:** Hall effect sensor

Base for Multi-pedal

- Blank**
- T:** Double-switch
- S:** 2-Stage

Pressure Point

- Blank:** No pressure point
- N:** With default pressure point

Options

- Blank:** No button
- B1:** Middle button
- B2:** Left and Right Buttons
- B3:** 3 Buttons

Options

- Blank**
- H:** With handle

Cable Length

- 8:** 22AWGx5 Shielded

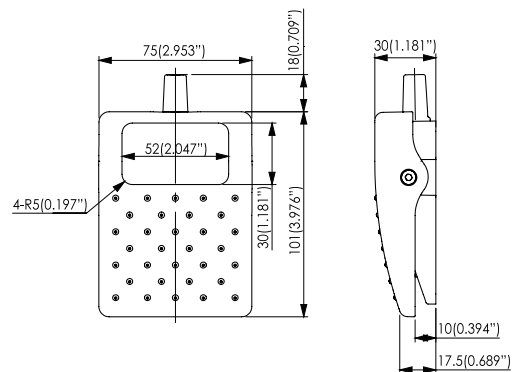
Additional Wiring Information

- 22AWGx5 Shielded**
- Blank:** Meter(s)
- F:** Foot/Feet

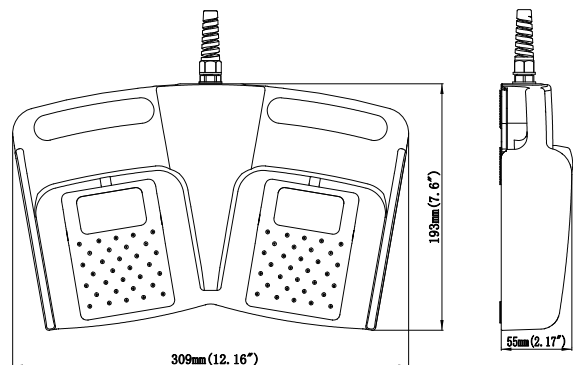
* Standard pedal color: Black

Dimensions:

FX-81-5-N-2-20/4S (20AWGx4, shielded, 2 meters, 1NO/1NC, cable diameter 7.0mm)
FX-81-5-N-2-20/4S W (20AWGx4, shielded, 2 meters, 1NO/1NC, cable diameter 7.0mm, White Pedal)

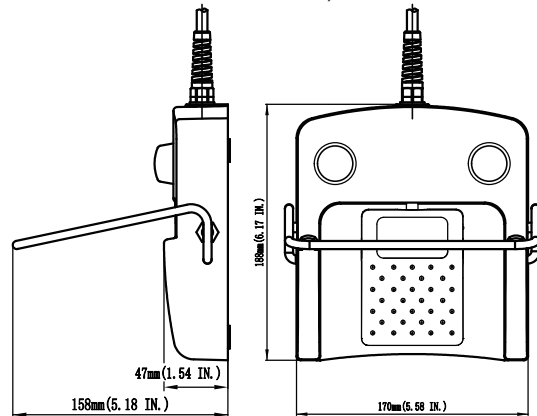


FX-82-5-W-N-2-20/4S(S) (20AWGx4, shielded, 2 meters, 2x 1NO, cable diameter 7.0mm, Compact Base)
FX-82-5-W-N-2-22/5S(S) (22AWGx5, shielded, 2 meters, 2x 1NO, cable diameter 5.6mm, Compact Base)

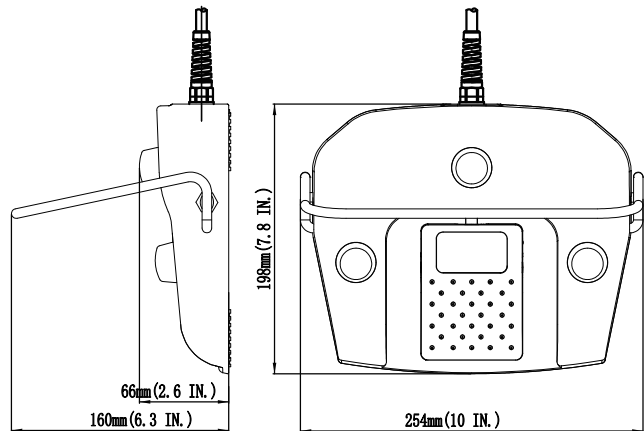


FX-8 Series Medical Foot Switches (IPX8)

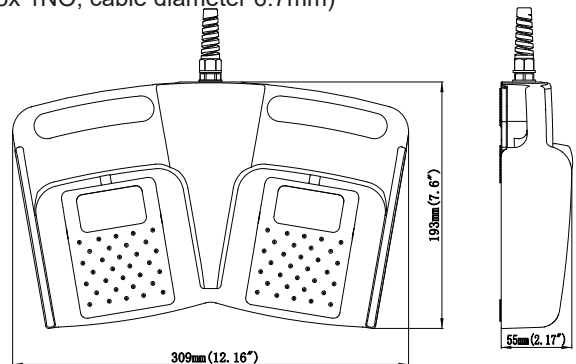
FX-81-5-W-N-B1-H-2-20/4S (20AWGx4, shielded, 2 meters, 3x 1NO, cable diameter 7.0mm)
FX-81-5-W-N-B2-H-2-22/5S (22AWGx5, shielded, 2 meters, 4x 1NO, cable diameter 5.6mm)



FX-81-5-W-N-B3-H-2-22/5S-(L) (22AWGx5, shielded, 2 meters, 2x 1NO, cable diameter 5.6mm)

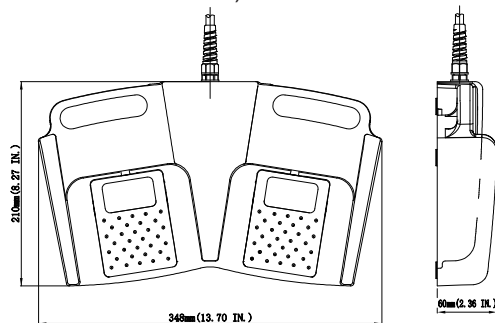


FX-82-5-W-N-2-20/4S-(S) (20AWGx4, shielded, 2 meters, 2x 1NO, cable diameter 7.0mm)
FX-82-5-W-N-2-22/5S-(S) (22AWGx5, shielded, 2 meters, 4x 1NO, cable diameter 5.6mm)
FX-82-5-W-N-B1-2-20/4S-(S) (20AWGx4, shielded, 2 meters, 3x 1NO, cable diameter 7.0mm)
FX-82-5-W-N-B2-2-22/5S-(S) (22AWGx5, shielded, 2 meters, 4x 1NO, cable diameter 5.6mm)
FX-82-5-W-N-B3-2-20/6S-(S) (20AWGx6, shielded, 2 meters, 5x 1NO, cable diameter 6.7mm)

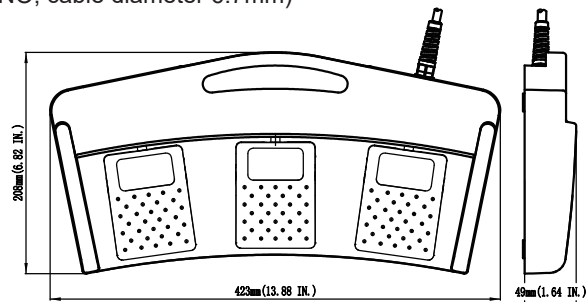


FX-8 Series Medical Foot Switches (IPX8)

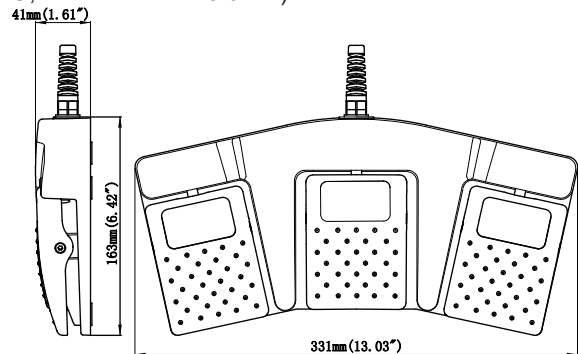
- FX-82-5-W-N-2-20/4S** (20AWGx4, shielded, 2 meters, 2x 1NO, cable diameter 7.0mm)
- FX-82-5-W-N-2-22/5S** (22AWGx5, shielded, 2 meters, 2x 1NO, cable diameter 5.6mm)
- FX-82-5-W-N-B1-2-20/4S** (20AWGx4, shielded, 2 meters, 3x 1NO, cable diameter 7.0mm)
- FX-82-5-W-N-B2-2-22/5S** (22AWGx5, shielded, 2 meters, 4x 1NO, cable diameter 5.6mm)
- FX-82-5-W-N-B3-2-20/6S** (20AWGx6, shielded, 2 meters, 5x 1NO, cable diameter 6.7mm)



- FX-83-5-W-N-2-20/4S** (20AWGx4, shielded, 2 meters, 2x 1NO, cable diameter 7.0mm)
- FX-83-5-W-N-2-22/5S** (22AWGx5, shielded, 2 meters, 2x 1NO, cable diameter 5.6mm)
- FX-83-5-W-N-B1-2-22/5S** (22AWGx5, shielded, 2 meters, 3x 1NO, cable diameter 5.6mm)
- FX-83-5-W-N-B2-2-20/6S** (20AWGx6, shielded, 2 meters, 5x 1NO, cable diameter 6.7mm)



- FX-83-5-WP-N-2-20/4S** (20AWGx4, shielded, 2 meters, 2x 1NO, cable diameter 7.0mm)
- FX-83-5-WP-N-2-22/5S** (22AWGx5, shielded, 2 meters, 2x 1NO, cable diameter 5.6mm)



- FX-84-5-W-N-B2-H-26/7** (26AWGx7, PUR, coiled, 6x 1NO, cable diameter 5.3mm)

